

Owner's Manual

Companion

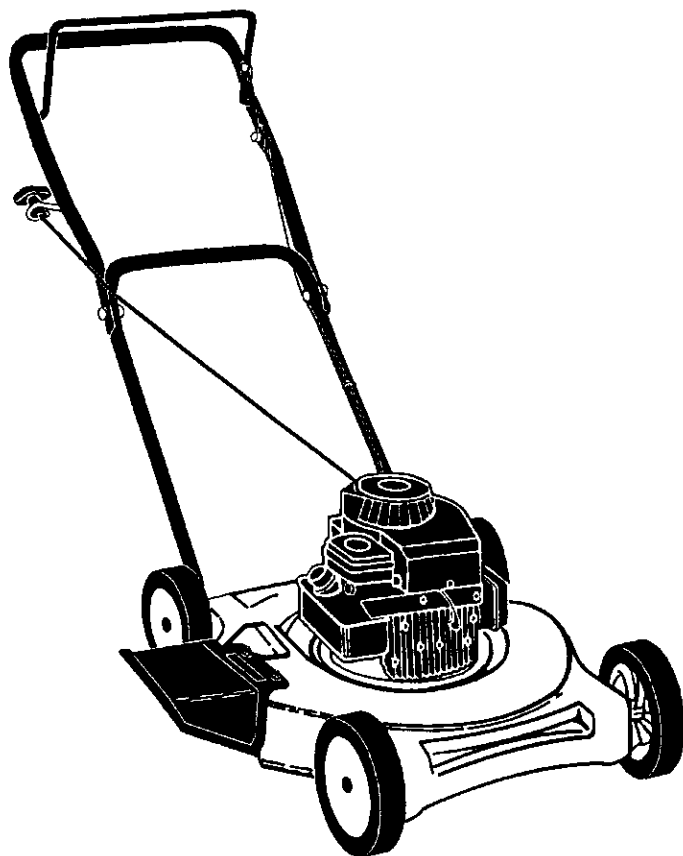
ROTARY LAWN MOWER

3.5 Horsepower

20" Side Discharge

Model Number

944.362010



CAUTION:

Read and follow all
Safety Rules and Instructions
before operating this equipment

Sears Canada, Inc., Toronto, Ontario M5B 2B8

TABLE OF CONTENTS

Warranty	2	Product Specifications	12
Safety Rules	2-4	Service and Adjustments	14
Assembly / Pre-Operation	6-7	Storage	15
Operation	8-10	Troubleshooting	16-17
Maintenance Schedule	11	Repair Parts	18-19
Maintenance	11-14	Sears Service	Back Cover

WARRANTY

LIMITED ONE (1) YEAR WARRANTY ON COMPANION POWER MOWER

For one (1) year from date of purchase Sears Canada, Inc. will repair or replace at Sears option free of charge parts which are defective as a result of material or workmanship.

COMMERCIAL OR RENTAL USE:

Warranty on Power Mower (Gas) will be ninety (90) days from date of purchase if used for commercial or rental purposes.

This Warranty does NOT cover:

1. Pre-delivery set-up.
2. Expendable items which become worn during normal use, such as rotary mower blades, blade adapters, belts, filters and spark plugs.
3. Repairs necessary because of operator abuse or negligence, including bent crankshafts and the failure to operate and maintain the equipment according to the instructions contained in the Owner's Manual.

Warranty service is available by returning the Companion Power Mower to the nearest Sears Service Centre/Department in Canada. This warranty applies only while this product is used in Canada.

This warranty is in addition to any statutory warranty and does not exclude or limit legal rights you may have but shall run concurrently with applicable provincial legislation. Furthermore, some provinces do NOT allow limitation on how long an implied warranty will last so the above limitations may not apply to you.

SEARS CANADA, INC., TORONTO, ONTARIO M5B 2B8

SAFETY RULES

IMPORTANT: This cutting machine is capable of amputating hands and feet and throwing objects. Failure to observe the following safety instructions could result in serious injury or death.

⚠ Look for this symbol to point out important safety precautions. It means **CAUTION!!! BECOME ALERT!!! YOUR SAFETY IS INVOLVED.**

⚠ **CAUTION:** Always disconnect spark plug wire and place wire where it cannot contact spark plug in order to prevent accidental starting when setting up, transporting, adjusting or making repairs.

⚠ **CAUTION:** Muffler and other engine parts become extremely hot during operation and remain hot after engine has stopped. To avoid severe burns on contact, stay away from these areas.



I. GENERAL OPERATION

- Read, understand, and follow all instructions on the machine and in the manual(s) before starting. Be thoroughly familiar with the controls and the proper use of the machine before starting.
- Do not put hands or feet near or under rotating parts. Keep clear of the discharge opening at all times.
- Only allow responsible individuals, who are familiar with the instructions, to operate the machine.
- Clear the area of objects such as rocks, toys, wire, bones, sticks, etc., which could be picked up and thrown by the blade.
- Be sure the area is clear of other people before mowing. Stop machine if anyone enters the area.

- Do not operate the mower when barefoot or wearing open sandals. Always wear substantial foot wear.
- Do not pull mower backwards unless absolutely necessary. Always look down and behind before and while moving backwards.
- Do not operate the mower without proper guards, plates, grass catcher or other safety protective devices in place.
- See manufacturer's instructions for proper operation and installation of accessories. Only use accessories approved by the manufacturer.
- Stop the blade(s) when crossing gravel drives, walks, or roads.
- Stop the engine (motor) whenever you leave the equipment, before cleaning the mower or unclogging the chute.
- Shut the engine (motor) off and wait until the blade comes to complete stop before removing grass catcher.
- Mow only in daylight or good artificial light.
- Do not operate the machine while under the influence of alcohol or drugs.
- Never operate machine in wet grass. Always be sure of your footing: keep a firm hold on the handle and walk; never run.
- Disengage the self-propelled mechanism or drive clutch on mowers so equipped before starting the engine (motor).
- If the equipment should start to vibrate abnormally, stop the engine (motor) and check immediately for the cause. Vibration is generally a warning of trouble.
- Always wear safety goggles or safety glasses with side shields when operating mower.

II. SLOPE OPERATION

Slopes are a major factor related to slip and fall accidents which can result in severe injury. All slopes require extra caution. If you feel uneasy on a slope, do not mow it.

- Mow across the face of slopes: never up and down. Exercise extreme caution when changing direction on slopes.
- Remove obstacles such as rocks, tree limbs, etc.
- Watch for holes, ruts, or bumps. Tall grass can hide obstacles.

DO NOT:

- Do not trim near drop-offs, ditches or embankments. The operator could lose footing or balance.
- Do not trim excessively steep slopes.
- Do not mow on wet grass. Reduced footing could cause slipping.

III. CHILDREN

Tragic accidents can occur if the operator is not alert to the presence of children. Children are often attracted to the machine and the mowing activity. *Never* assume that children will remain where you last saw them.

- Keep children out of the trimming area and under the watchful care of another responsible adult.
- Be alert and turn machine off if children enter the area.
- Before and while walking backwards, look behind and *down* for small children.
- Never allow children to operate the machine.
- Use extra care when approaching blind corners, shrubs, trees, or other objects that may obscure vision.

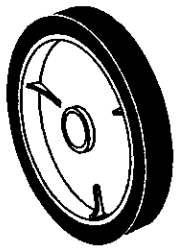
IV. SERVICE

- Use extra care in handling gasoline and other fuels. They are flammable and vapors are explosive.
 - Use only an approved container.
 - Never remove gas cap or add fuel with the engine running. Allow engine to cool before refueling. Do not smoke.
 - Never refuel the machine indoors.
 - Never store the machine or fuel container inside where there is an open flame, such as a water heater.
- Never run a machine inside a closed area.
- Never make adjustments or repairs with the engine (motor) running. Disconnect the spark plug wire, and keep the wire away from the plug to prevent accidental starting.
- Keep nuts and bolts, especially blade attachment bolts, tight and keep equipment in good condition.
- Never tamper with safety devices. Check their proper operation regularly.
- Keep machine free of grass, leaves, or other debris build-up. Clean oil or fuel spillage. Allow machine to cool before storing.

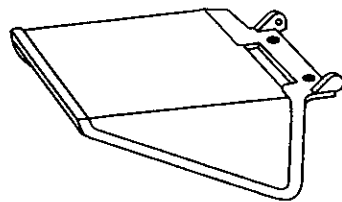
- Stop and inspect the equipment if you strike an object. Repair, if necessary, before restarting.
- Never attempt to make wheel height adjustments while the engine (motor) is running.
- Grass catcher components are subject to wear, damage, and deterioration, which could expose moving parts or allow objects to be thrown. Frequently check components and replace with manufacturer's recommended parts, when necessary.
- Mower blades are sharp and can cut. Wrap the blade(s) or wear gloves, and use extra caution when servicing them.
- Do not change the engine governor setting or overspeed the engine.

HARDWARE

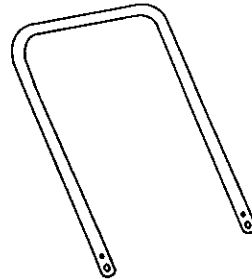
Parts packed separately in carton



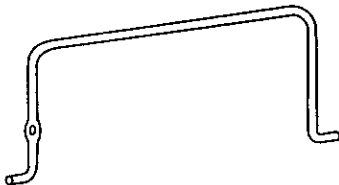
(4) Wheels



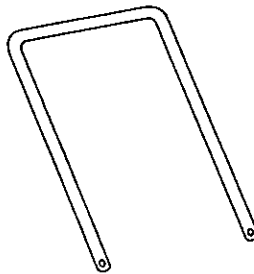
(1) Discharge Guard



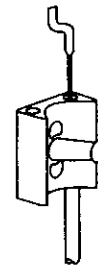
(1) Lower Handle



(1) Control Bar

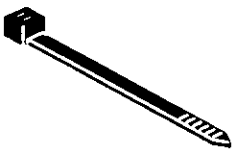


(1) Upper Handle

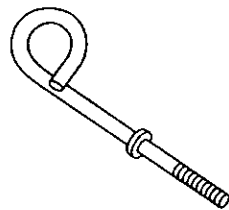


(1) Engine Zone Control Cable

Parts Bag contents not shown full size



(1) Wire Tie



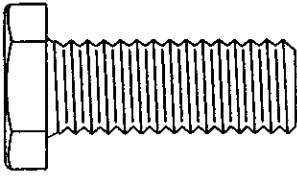
Rope Guide

(4) Spacers

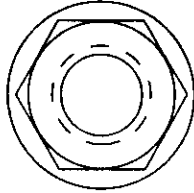


(1) Upstop Bracket

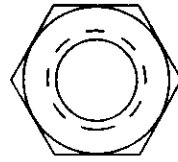
Parts Bag contents shown full size



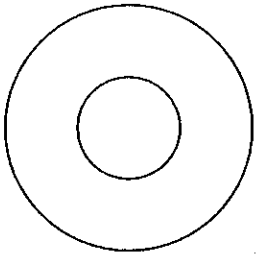
(4) Hex Bolts
3/8-16 x 1



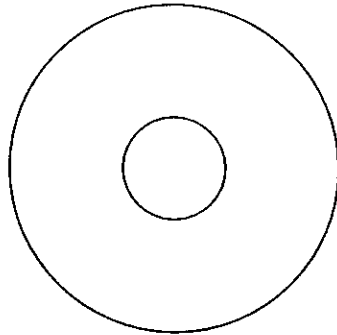
(4) Flange
Locknuts
3/8-16



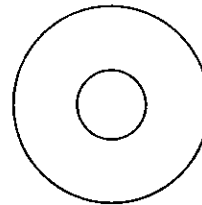
(4) Locknuts
3/8-16



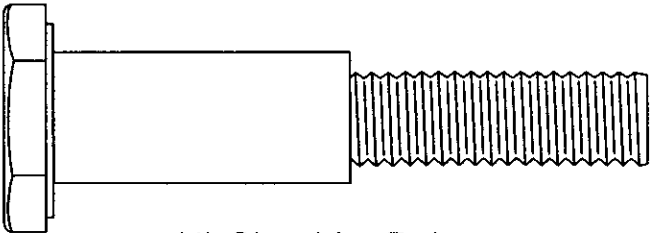
(4) Washers 7/8"



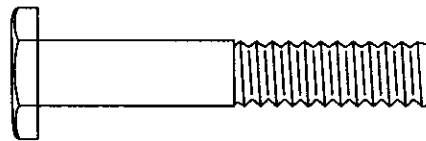
(2) Washers 1-1/4"



(2) Washers 3/4"



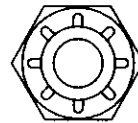
(4) Shoulder Bolts



(2) Hex Bolts
1/4-20 x 1-1/2



(2) Hex Bolts 1/4-20 x 3/4



(5) Locknuts
1/4-20



(1) Hex Washer Head Self-tapping Screw #10-24 x 1/2

ASSEMBLY / PRE-OPERATION

CAUTION: Do not operate this mower without the discharge guard or an entire approved grass catcher in place. These guards are for your protection and are required by the American National Standards Institute and Consumer Products Safety Commission.

CAUTION: Disconnect spark plug wire from spark plug and place wire where it cannot come in contact with plug. Read these instructions and this manual in its entirety before you attempt to assemble or operate your new lawn mower.

IMPORTANT: This lawn mower is shipped WITHOUT OIL OR GASOLINE in the engine.

Your new lawn mower has been assembled at the factory with the exception of those parts left unassembled for shipping purposes. All parts such as nuts, washers, bolts, etc., necessary to complete the assembly have been placed in the parts bag. To ensure safe and proper operation of your lawn mower, all parts and hardware you assemble must be tightened securely. Use the correct tools as necessary to ensure proper tightness.

TOOLS REQUIRED FOR ASSEMBLY

A socket wrench set will make assembly easier. Standard wrench sizes are listed.

- (1) 5/16" Wrench (1) Adjustable Wrench
- (1) 7/16" Wrench (1) 9/16" Wrench
- (1) 1/2" Wrench (1) 3/4" Wrench

When right hand or left hand is mentioned in this manual, it means when you are standing in the operating position, behind the handle.

UNPACK CARTON

1. Remove all loose parts from carton.
2. Examine all items. Compare with list of unassembled parts and hardware.
3. Remove lawn mower housing with care. Avoid touching blade under housing. Always wear gloves or other protection when working under or lifting mower.

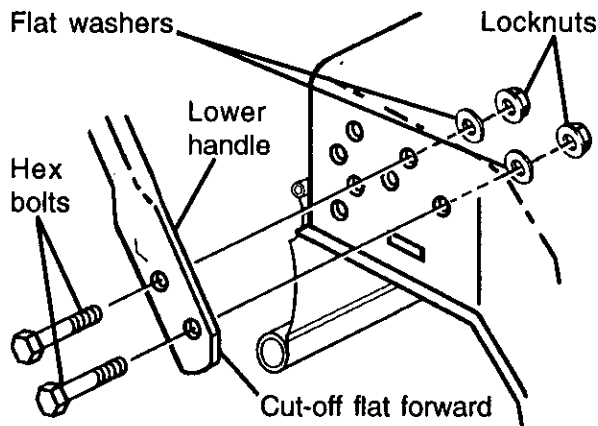
ASSEMBLE LOWER HANDLE

NOTE: For ease of lower handle assembly, raise rear of deck and block securely.

1. Position lower handle on deck so cut-off flat is forward as shown.
2. Align holes in handle with holes in deck as shown and assemble 3/8-16 x 6

3/4 hex bolts, flat washers, and locknuts. Tighten securely.

3. Repeat for opposite side of mower.



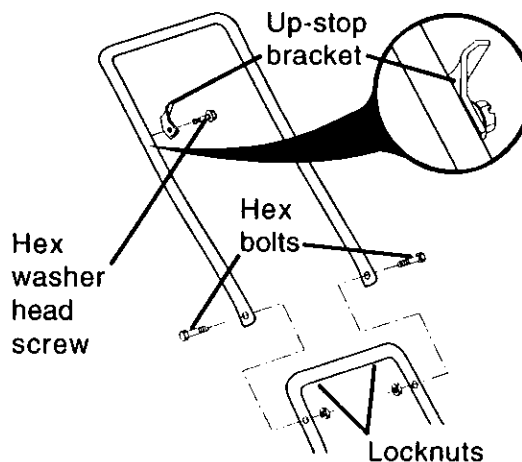
ASSEMBLE UPPER HANDLE

1. Position upper handle over lower handle with small hole for mounting up-stop bracket to right side and assemble 1/4-20 x 1-1/2 hex bolts and 1/4-20 locknuts. Tighten securely.

ASSEMBLE UPSTOP BRACKET

2. Position upstop bracket on the right inside of upper handle as shown.
3. Install the hex washer head screw into the hole in up-stop bracket and upper handle. Tighten securely.

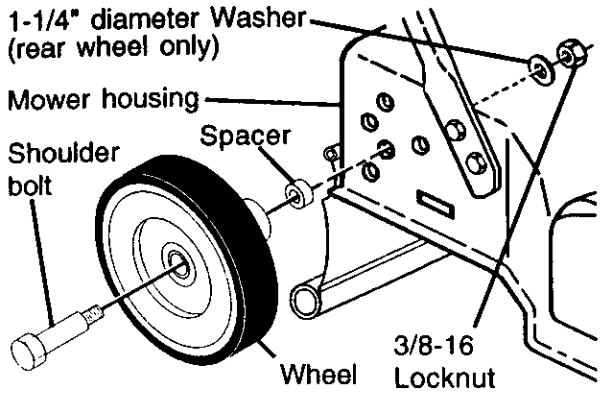
AS VIEWED FROM FRONT OF MOWER



ASSEMBLE WHEELS

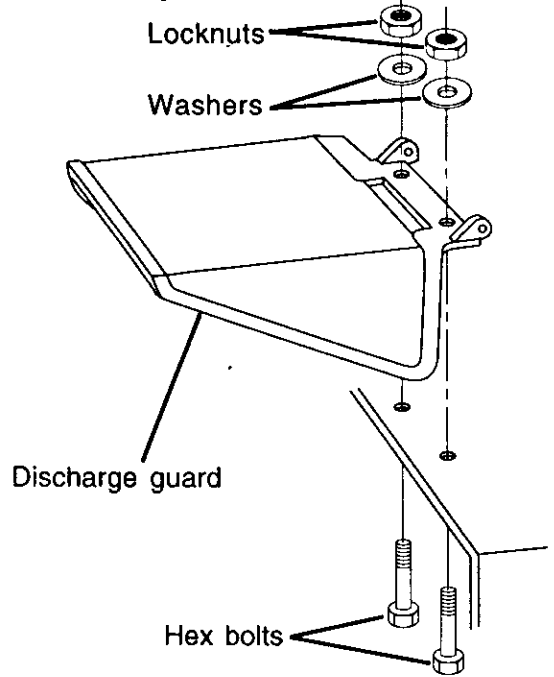
Cutting height is determined by assembling the wheels in one of four possible positions on the mower housing. All wheels must be in the same height position for even cutting.

1. For each wheel, assemble shoulder bolt and spacer as shown
2. Assemble 1-1/4" diameter washer (rear wheels only) and 3/8-16 locknut on inside of mower housing and tighten securely.



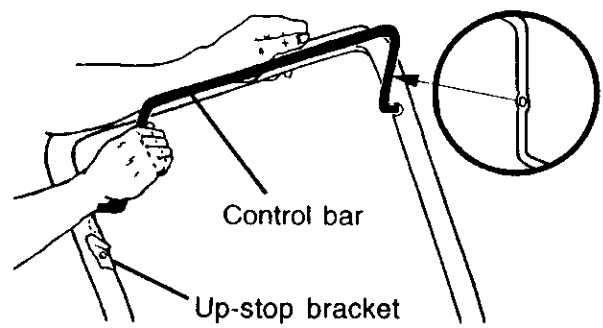
ASSEMBLE DISCHARGE GUARD

1. Place discharge guard on top of lawn mower discharge opening.
2. Install two (2) 1/4-20 x 3/4 hex bolts through housing and discharge guard.
3. Install two (2) 3/4" diameter washers and two (2) 1/4-20 locknuts. Tighten securely.



INSTALL CONTROL BAR

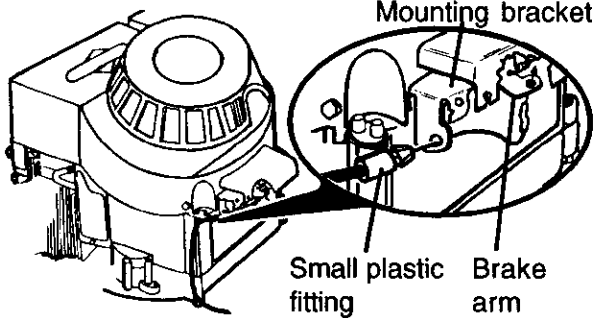
1. Position control bar so flattened section with hole is on opposite side of handle as up-stop bracket.
2. Insert one end of control bar into handle hole on inside of handle. Carefully push in on opposite end of control bar and insert into hole on opposite side of handle.



ASSEMBLE ENGINE ZONE CONTROL CABLE TO ENGINE

Cable attaches under brake arm cover, (opposite side of engine as spark plug).

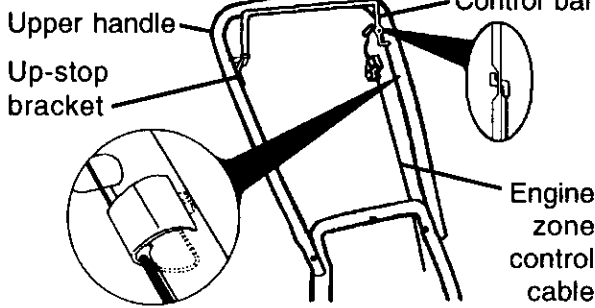
1. Straighten cable and find the end with the small plastic fitting.
2. Hook "Z" bend fitting on inner wire of cable into hole in brake arm of engine.
3. Align tapered end of small plastic fitting with hole in mounting bracket and push until fitting snaps into place.



ASSEMBLE ENGINE ZONE CONTROL CABLE TO UPPER HANDLE

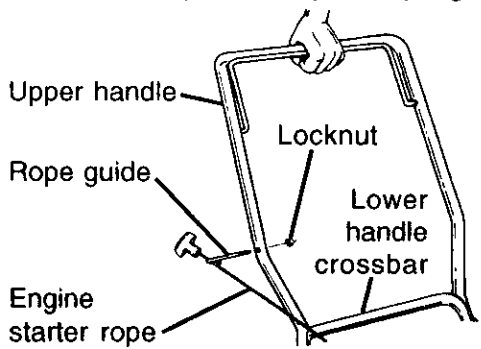
Attach cable opposite upstop bracket.

1. Route cable below crossbar of lower handle and up to control bar.
2. Hook "Z" bend fitting on inner wire into hole in control bar.
3. Attach cable fitting to upper handle.
4. Secure cable to lower handle with wire tie.



INSTALL STARTER ROPE

1. Put threaded end of rope guide through hole in side of upper handle above lower handle crossbar. Secure with 1/4-20 locknut.
2. Hold control bar against upper handle and slowly pull engine starter rope out until it will slip into loop of rope guide.

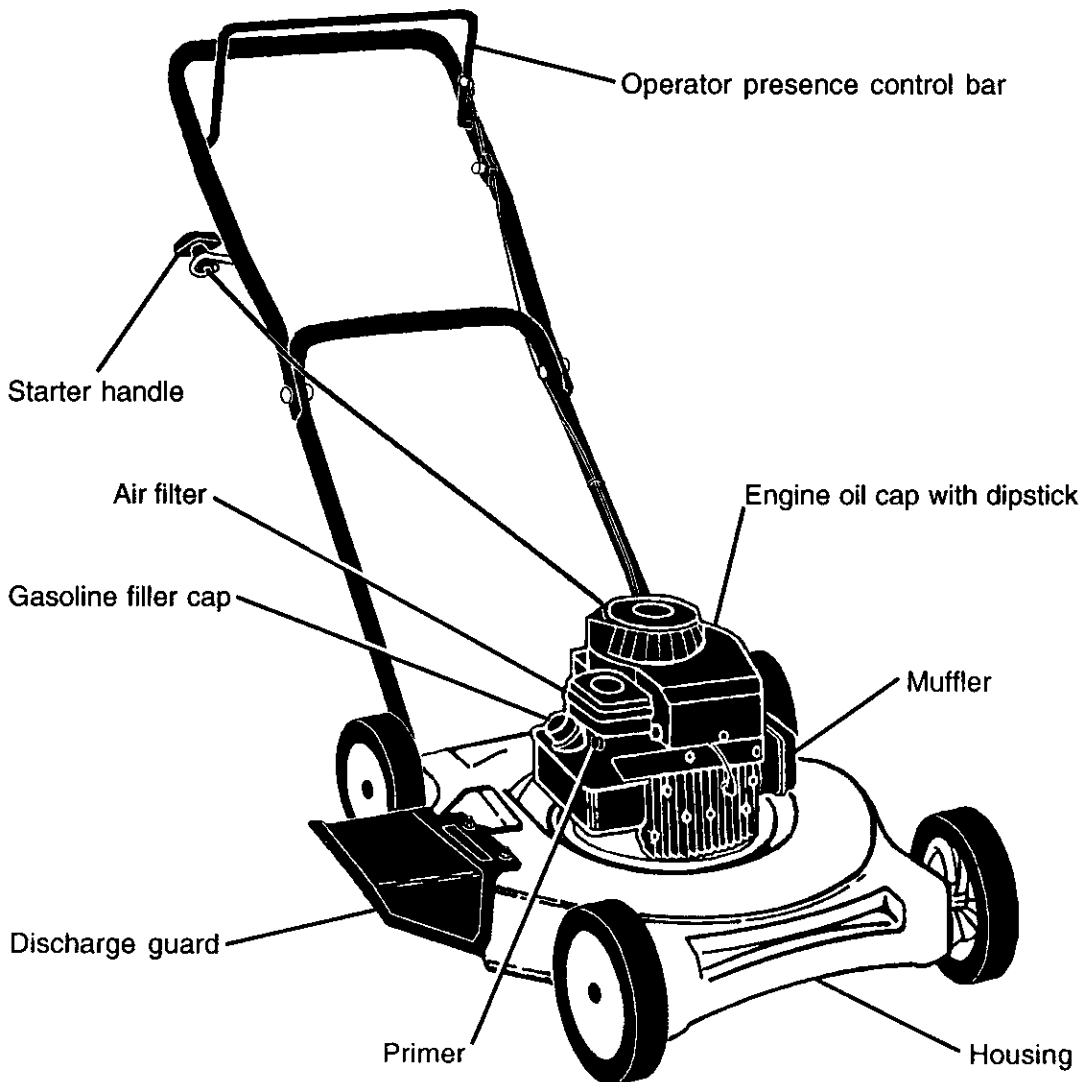
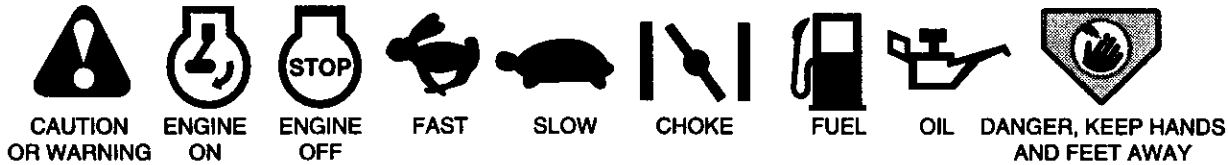


OPERATION

KNOW YOUR LAWN MOWER

READ THIS OWNER'S MANUAL AND ALL SAFETY RULES BEFORE OPERATING YOUR LAWN MOWER. Compare the illustrations with your lawn mower to familiarize yourself with the location of various controls and adjustments. Save this manual for future reference.

These symbols may appear on your lawn mower or in literature supplied with the product. Learn and understand their meaning.



IMPORTANT: This lawn mower is shipped WITHOUT OIL OR GASOLINE in the engine.

MEETS CPSC SAFETY REQUIREMENTS

Sears rotary walk-behind power lawn mowers conform to the safety standards of the American National Standards Institute and the U.S. Consumer Product Safety Commission. The blade turns when the engine is running.

Operator presence control bar - must be held down to the handle to start the engine. Release to stop the engine.

Starter handle - used for starting the engine. 8

Primer - pumps additional fuel from the carburetor to the cylinder for use when starting a cold engine.



The operation of any lawn mower can result in foreign objects thrown into the eyes, which can result in severe eye damage.

Always wear safety glasses or eye shields while operating your lawn mower or performing any adjustments or repairs. We recommend standard safety glasses or a wide vision safety mask worn over spectacles.

HOW TO USE YOUR LAWN MOWER ENGINE SPEED

The engine speed was set at the factory for optimum performance. Speed is not adjustable.

ENGINE ZONE CONTROL

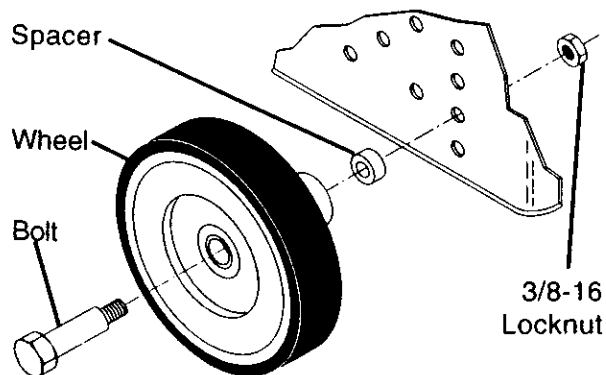
CAUTION: Federal regulations require an engine control to be installed on this lawn mower in order to minimize the risk of blade contact injury. Do not under any circumstances attempt to defeat the function of the operator control. The blade turns when the engine is running.

- Your lawn mower is equipped with an operator presence control bar which requires the operator to be positioned behind the lawn mower handle to start and operate the lawn mower.

TO ADJUST CUTTING HEIGHT

Raise wheels for low cut and lower wheels for high cut, adjust cutting height to suit your requirements. Medium position is best for most lawns.

1. Remove wheel, bolt, and hardware and reassemble in desired adjustment hole.
2. Reinstall wheel components in the same order as they were before removal. Tighten securely.



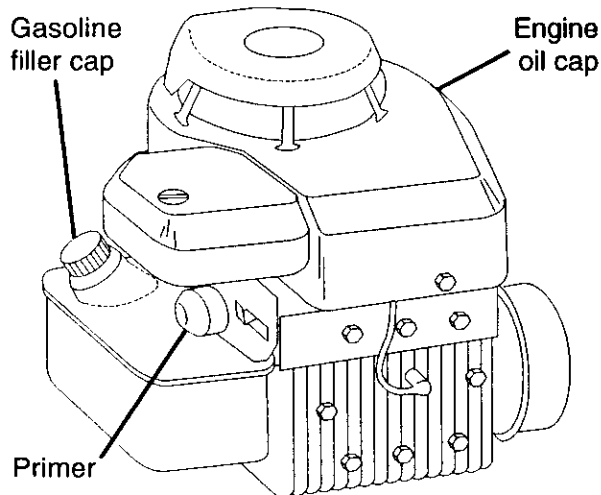
BEFORE STARTING ENGINE

ADD OIL

Your lawnmower is shipped without oil in the engine. For type and grade of oil to use, see "ENGINE" in the Maintenance section of this manual.

CAUTION: DO NOT overfill engine with oil, or it will smoke on startup.

1. Be sure lawnmower is level and area around oil fill is clean.
 2. Remove oil dipstick from oil fill spout. Make sure that rim of spout is clean.
 3. You receive a container of oil with the unit. Slowly pour 3/4 (15 oz.) of the oil from the container down the oil fill spout into the engine.
 4. Wait one minute to allow oil to settle. Insert and tighten dipstick, then remove it to check oil level.
 5. Continue adding small amounts of oil and rechecking the dipstick until it reads full. DO NOT overfill, or engine will smoke on startup.
 6. Always be sure to retighten oil dipstick before starting engine.
- Check oil level before each use. Add oil if needed. Fill to full line on dipstick.
 - Change the oil after every 25 hours of operation or each season. You may need to change the oil more often under dusty, dirty conditions.



ADD GASOLINE

- Fill fuel tank to bottom of tank filler neck. Do not overfill. Use fresh, clean, regular unleaded gasoline with a minimum of 87 octane. Do not mix oil with gasoline. Purchase fuel in quantities that can be used within 30 days to assure fuel freshness.

⚠ CAUTION: Wipe off any spilled oil or fuel. Do not store, spill or use gasoline near an open flame.

⚠ CAUTION: Alcohol blended fuels (called gasohol or using ethanol or methanol) can attract moisture which leads to separation and formation of acids during storage. Acidic gas can damage the fuel system of an engine while in storage. To avoid engine problems, the fuel system should be emptied before storage of 30 days or longer. Drain the gas tank, start the engine and let it run until the fuel lines and carburetor are empty. Use fresh fuel next season. See Storage Instructions for additional information. Never use engine or carburetor cleaner products in the fuel tank or permanent damage may occur.

TO START ENGINE

NOTE: Due to protective coatings on the engine, a small amount of smoke may be present during the initial use of the product and should be considered normal.

1. To start a cold engine, push primer three (3) times before trying to start. Use a firm push. This step is not usually necessary when starting an engine which has already run for a few minutes.
2. Hold operator presence control bar down to the handle and pull starter handle quickly. Do not allow starter rope to snap back.

TO STOP ENGINE

- To stop engine, release operator presence control bar.

NOTE: In cooler weather it may be necessary to repeat priming steps. In warmer weather over priming may cause flooding and engine will not start. If you do flood engine, wait a few minutes before attempting to start and do not repeat priming steps.

MOWING TIPS

- Under certain conditions, such as very tall grass, it may be necessary to raise the height of cut to reduce pushing effort and to keep from overloading the engine and leaving clumps of grass clippings. It may also be necessary to reduce ground speed and/or run the lawn mower over the area a second time.
- For extremely heavy cutting, reduce the width of cut by overlapping previously cut path and mow slowly.
- For better grass bagging and most cutting conditions, the engine speed should be set in the FAST position.
- For side discharge lawn mowers, cutting in a counter-clockwise direction, starting at the outside of the area to be cut, spreads grass clippings more evenly and puts less load on the engine. To keep clippings off of walkways, flower beds, etc., make the first cuts in a clockwise direction.
- Pores in cloth grass catchers can become filled with dirt and dust with use and catchers will collect less grass. To prevent this, regularly hose catcher off with water and let dry before using.
- Keep top of engine around starter clear and clean of grass clippings and chaff. This will help engine air flow and extend engine life.

MAINTENANCE

MAINTENANCE SCHEDULE		BEFORE EACH USE AFTER EACH USE EVERY 10 HOURS EVERY 25 HOURS OR EVERY SEASON BEFORE STORAGE					SERVICE DATES				
FILL IN DATES AS YOU COMPLETE REGULAR SERVICE											
M O W E R	Check for Loose Fasteners	✓				✓					
	Clean/Inspect Grass Catcher (If Equipped)	✓	✓			✓					
	Clean Lawn Mower		✓			✓					
	Clean Under Drive Cover (Power-Propelled Mowers)			✓							
	Check drive belt/pulleys (Power-Propelled Mowers)					✓					
	Check/Sharpen/Replace Blade					✓ ₃					
	Lubrication Chart					✓					
	Clean Battery/Recharge (Electric Start Mowers)					✓					
E N G I N E	Check Engine Oil Level	✓									
	Change Engine Oil					✓ _{1,2}					
	Clean Air Filter					✓ ₂					
	Inspect Muffler					✓					
	Clean or Replace Spark Plug					✓					
	Replace Air Filter Paper Cartridge					✓ ₂					

- 1 - Change more often when operating under a heavy load or in high ambient temperatures.
- 2 - Service more often when operating in dirty or dusty conditions.
- 3 - Replace blades more often when mowing in sandy soil.
- 4 - Charge 48 hours at end of season.

GENERAL RECOMMENDATIONS

The warranty on this lawn mower does not cover items that have been subjected to operator abuse or negligence. To receive full value from the warranty, operator must maintain mower as instructed in this manual.

Some adjustments will need to be made periodically to properly maintain your unit.

All adjustments in the Service and Adjustments section of this manual should be checked at least once each season.

- Once a year, replace the spark plug, clean or replace air filter element and check blade for wear. A new spark plug and clean/new air filter element assure proper air-fuel mixture and help your engine run better and last longer.
- Follow the maintenance schedule in this manual.

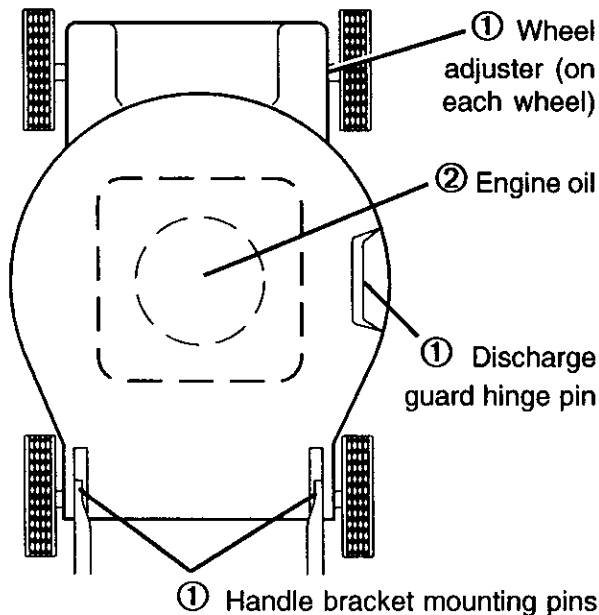
BEFORE EACH USE

1. Check engine oil level.
2. Check for loose fasteners.

LUBRICATION

Keep unit well lubricated (See "LUBRICATION CHART").

LUBRICATION CHART



- ① Spray lubricant
- ② See "ENGINE" in Maintenance section.

IMPORTANT: Do not oil or grease plastic wheel bearings. Viscous lubricants will attract dust and dirt that will shorten the life of the self-lubricating bearings. If you feel they must be lubricated, use only a dry, powdered graphite type lubricant sparingly.

PRODUCT SPECIFICATIONS

Serial Number:	
Date of Purchase:	
Gasoline Capacity / Type:	1.0 Quarts (unleaded regular)
Oil Type (API-SF-SJ):	SAE 30 (above 32°F); SAE 5W-30 (below 32°F)
Oil Capacity:	20 Ounces
Spark Plug (Gap: .030")	Champion RJ19LM
Blade Bolt Torque:	35-40 ft. lbs.
<ul style="list-style-type: none"> The model and serial numbers will be found on a decal on the rear of the mower housing. Record both serial number and date of purchase in space provided above. 	

LAWN MOWER

Always observe safety rules when performing any maintenance.

TIRES

- Keep tires free of gasoline, oil, or insect control chemicals which can harm rubber.
- Avoid stumps, stones, deep ruts, sharp objects and other hazards that may cause tire damage.

BLADE CARE

For best results, mower blade must be kept sharp. Replace bent or damaged blades.

TO REMOVE BLADE

1. Disconnect spark plug wire from spark plug and place wire where it cannot come in contact with spark plug.
2. Turn lawn mower on its side. Make sure air filter and carburetor are up.
3. Use a wood block between blade and mower housing to prevent blade from turning when removing blade bolt.

NOTE: Protect your hands with gloves and/or wrap blade with heavy cloth.

4. Remove blade bolt by turning counter-clockwise.
5. Remove blade and attaching hardware (bolt, lock washer and hardened washer).

NOTE: Remove the blade adapter and check the key inside hub of blade adapter. The key must be in good condition to work properly. Replace adapter if damaged.

TO REPLACE BLADE

1. Position the blade adapter on the engine crankshaft. Be sure key in adapter and crankshaft keyway are aligned.
2. Position blade on the blade adapter aligning the two (2) holes in the blade with the raised lugs on the adapter.
3. Be sure the trailing edge of blade

(opposite sharp edge) is up toward the engine.

4. Install the blade bolt with the lock washer and hardened washer into blade adapter and crankshaft.
 5. Use block of wood between blade and lawn mower housing and tighten the blade bolt, turning clockwise.
- The recommended tightening torque is 35-40 ft. lbs.

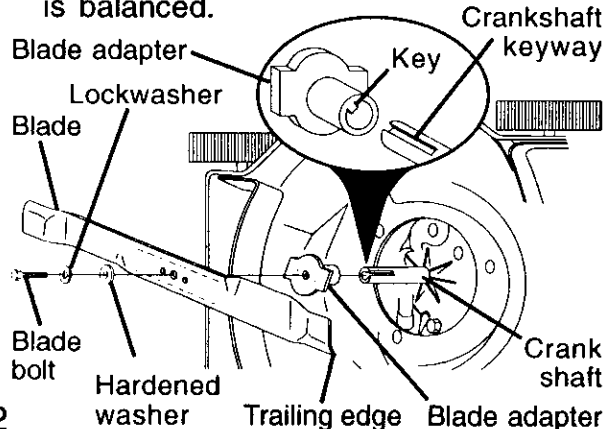
IMPORTANT: Blade bolt is grade 8 heat treated.

TO SHARPEN BLADE

NOTE: We do not recommend sharpening blade - but if you do, be sure the blade is balanced.

Care should be taken to keep the blade balanced. An unbalanced blade will cause eventual damage to lawn mower or engine.

- The blade can be sharpened with a file or on a grinding wheel. Do not attempt to sharpen while on the mower.
- To check blade balance, drive a nail into a beam or wall. Leave about one inch of the straight nail exposed. Place center hole of blade over the head of the nail. If blade is balanced, it should remain in a horizontal position. If either end of the blade moves downward, sharpen the heavy end until the blade is balanced.



GRASS CATCHER

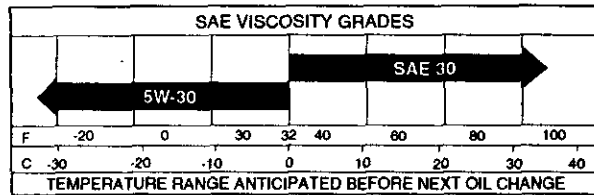
(if purchased as an accessory)

- The grass catcher may be hosed with water, but must be dry when used.
- Check your grass catcher often for damage or deterioration. Through normal use it will wear. If catcher needs replacing, replace only with a manufacturer approved replacement catcher. Give the lawn mower model number when ordering.

ENGINE

LUBRICATION

Use only high quality detergent oil rated with API service classification SF-SJ. Select the oil's SAE viscosity grade according to your expected operating temperature.



NOTE: Although multi-viscosity oils (5W30, 10W30 etc.) improve starting in cold weather, these multi-viscosity oils will result in increased oil consumption when used above 32°F. Check your engine oil level more frequently to avoid possible engine damage from running low on oil.

Change the oil after every 25 hours of operation or at least once a year if the lawn mower is not used for 25 hours in one year.

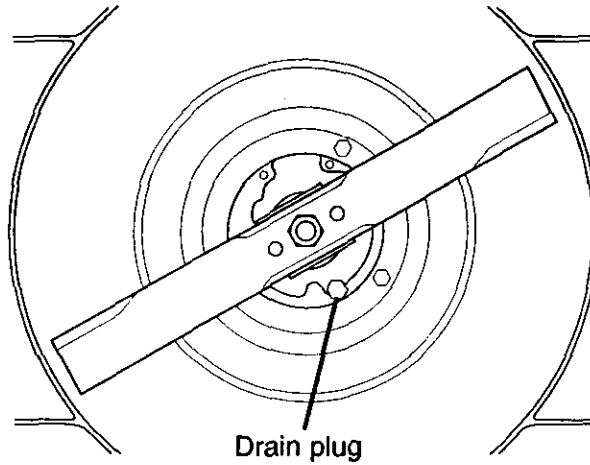
Check the crankcase oil level before starting the engine and after each five (5) hours of continuous use. Tighten oil plug securely each time you check the oil level.

TO CHANGE ENGINE OIL

1. Disconnect spark plug wire from spark plug and place wire where it cannot come in contact with spark plug.
2. Be sure lawn mower is on level surface.

NOTE: Oil will drain more freely when warm. Catch oil in a suitable container.

3. Remove bottom oil drain plug.
4. After oil has drained completely, replace oil drain plug and tighten securely.
5. Fill engine with oil. (See "ADD OIL" in the Operation section of this manual).
6. Reconnect spark plug wire to spark plug.

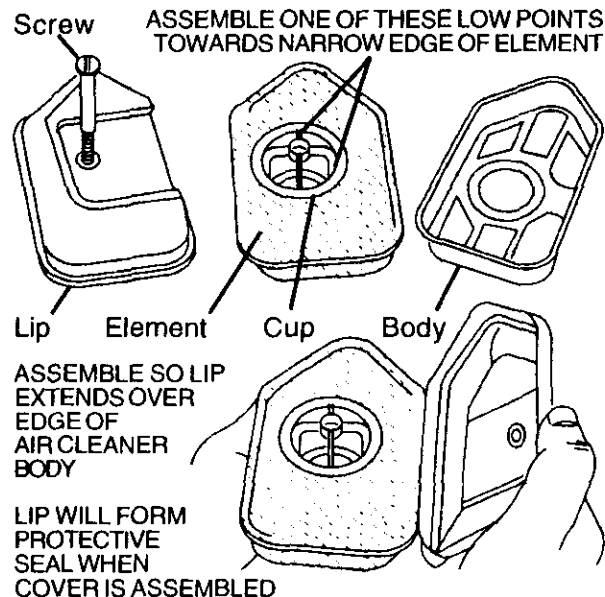


AIR FILTER

Your engine will not run properly and may be damaged by using a dirty air filter. Clean the element after every 25 hours of operation or every season. Replace the air filter every 100 hours of operation or every season, whichever occurs first. Service air cleaner more often under dusty conditions.

TO CLEAN AIR FILTER ELEMENT

1. Remove screw.
2. Remove air cleaner carefully to prevent dirt from entering carburetor.
3. Take air cleaner apart and clean air filter element.
4. Wash filter element in liquid detergent and water.
5. Wrap filter element in cloth and squeeze dry.
6. Lightly coat filter element with clean engine oil. Squeeze in towel to remove excess oil. Do not saturate.
7. Reassemble parts and put back on carburetor.



MUFFLER

Inspect and replace corroded muffler as it could create a fire hazard and/or damage.

SPARK PLUG

Replace spark plugs at the beginning of each mowing season or after every 100 hours of operation, whichever occurs first. Spark plug type and gap setting are shown in "PRODUCT SPECIFICATIONS" in Maintenance section of this manual.

CLEANING

IMPORTANT: For best performance, keep mower housing free of built-up grass and trash. Clean the underside of your mower after each use.

CAUTION: Disconnect spark plug wire from spark plug and place wire where it cannot come in contact with the spark plug.

- Clean the underside of your lawn mower by scraping to remove build-up of grass and trash.
- Clean engine often to keep trash from accumulating. A clogged engine runs hotter and shortens engine life.
- Keep finished surfaces and wheels free of all gasoline, oil, etc.
- We do not recommend using a garden hose to clean lawn mower unless the electrical system, muffler, air filter and carburetor are covered to keep water out. Water in engine can result in shortened engine life.

SERVICE AND ADJUSTMENTS

WARNING: To avoid serious injury, before performing any service or adjustments:

1. Release control bar and stop engine.
2. Make sure the blade and all moving parts have completely stopped.
3. Disconnect spark plug wire from spark plug and place where it cannot come in contact with plug.

LAWN MOWER

TO ADJUST CUTTING HEIGHT

See "TO ADJUST CUTTING HEIGHT" in the Operation section of this manual.

REAR DEFLECTOR

The rear deflector, attached between the rear wheels of your mower, is provided to minimize the possibility that objects will be thrown out of the rear of the mower into the operator's mowing position. If the deflector becomes damaged, it should be replaced.

DISCHARGE GUARD

The discharge guard, attached to the discharge opening of your lawn mower, is provided to prevent the possibility of injury resulting from objects being thrown out of the discharge opening into the operator mowing position. If the discharge guard becomes damaged, it should be replaced.

ENGINE

ENGINE SPEED

Your engine speed has been factory set. Do not attempt to increase engine speed or it may result in personal injury. If you believe that the engine is running too fast or too slow, take your lawn mower to a Sears or other qualified service center for repair and adjustment.

CARBURETOR

Your carburetor is not adjustable. If your engine does not operate properly due to suspected carburetor problems, take your lawn mower to a Sears or other qualified service center for repair and/or adjustment.

IMPORTANT: Never tamper with the engine governor, which is factory set for proper engine speed. Overspeeding the engine above the factory high speed setting can be dangerous. If you think the engine-governed high speed needs adjusting, contact a Sears or other qualified service center, which has proper equipment and experience to make any necessary adjustments.

STORAGE

Immediately prepare your lawn mower for storage at the end of the season or if the unit will not be used for 30 days or more.

LAWN MOWER

When lawn mower is to be stored for a period of time, clean it thoroughly, remove all dirt, grease, leaves, etc. Store in a clean, dry area.

1. Clean entire lawn mower (See "CLEANING" in the Maintenance section of this manual).
2. Lubricate as shown in the Maintenance section of this manual.
3. Be sure that all nuts, bolts, screws, and pins are securely fastened. Inspect moving parts for damage, breakage and wear. Replace if necessary.
4. Touch up all rusted or chipped paint surfaces; sand lightly before painting.

ENGINE

FUEL SYSTEM

IMPORTANT: It is important to prevent gum deposits from forming in essential fuel system parts such as carburetor, fuel filter, fuel hose, or tank during storage.

Also, alcohol blended fuels (called gasohol or using ethanol or methanol) can attract moisture which leads to separation and formation of acids during storage. Acidic gas can damage the fuel system of an engine while in storage.

1. Drain the fuel tank.
 2. Start the engine and let it run until the fuel lines and carburetor are empty.
- Never use engine or carburetor cleaner products in the fuel tank or permanent damage may occur.
 - Use fresh fuel next season.

NOTE: Fuel stabilizer is an acceptable alternative in minimizing the formation of fuel gum deposits during storage. Add stabilizer to gasoline in fuel tank or storage container. Always follow the mix ratio found on stabilizer container. Run engine at least 10 minutes after adding stabilizer to allow the stabilizer to reach the carburetor. Do not drain the gas tank and carburetor if using fuel stabilizer.

ENGINE OIL

Drain oil (with engine warm) and replace with clean engine oil. (See "ENGINE" in the Maintenance section of this manual).

CYLINDER

1. Remove spark plug.
2. Pour one ounce (29 ml) of oil through spark plug hole into cylinder.
3. Pull starter handle slowly a few times to distribute oil.
4. Replace with new spark plug.

OTHER

- Do not store gasoline from one season to another.
- Replace your gasoline can if your can starts to rust. Rust and/or dirt in your gasoline will cause problems.
- If possible, store your unit indoors and cover it to protect it from dust and dirt.
- Cover your unit with a suitable protective cover that does not retain moisture. Do not use plastic. Plastic cannot breathe, which allows condensation to form and will cause your unit to rust.

IMPORTANT: Never cover mower while engine and exhaust areas are still warm.

⚠ CAUTION: Never store the lawn mower with gasoline in the tank inside a building where fumes may reach an open flame or spark. Allow the engine to cool before storing in any enclosure.

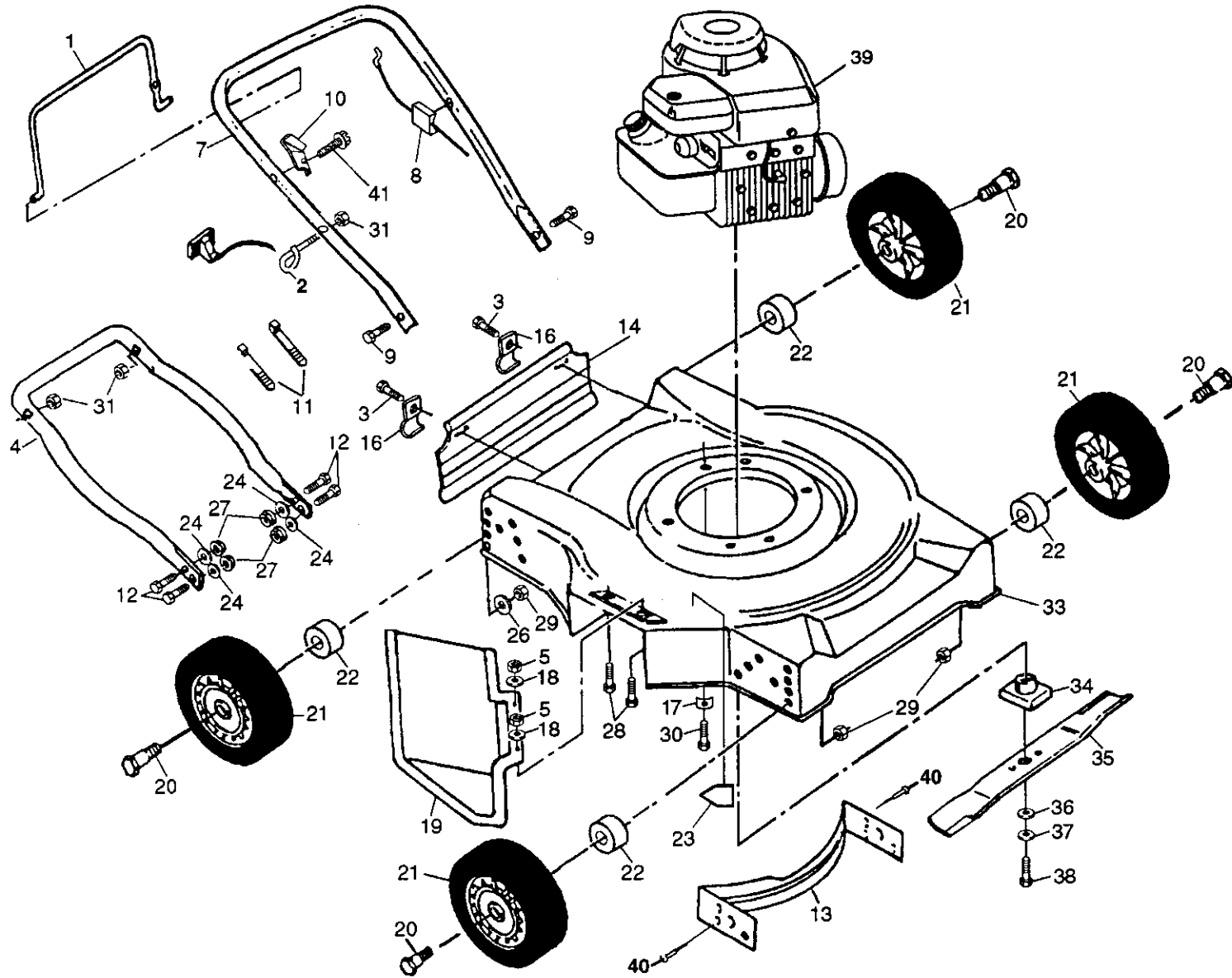
TROUBLESHOOTING - See appropriate section in manual unless directed to a Sears Service Center.

PROBLEM	CAUSE	CORRECTION
<p>Does not start</p>	<ol style="list-style-type: none"> 1. Dirty air filter. 2. Out of fuel. 3. Stale fuel. 4. Water in fuel. 5. Spark plug wire is disconnected. 6. Bad spark plug. 7. Loose blade or broken blade adapter. 8. Control bar in released position. 9. Control bar defective. 10. Fuel valve lever (if so equipped) in OFF position. 	<ol style="list-style-type: none"> 1. Clean/replace air filter. 2. Fill fuel tank. 3. Drain tank and refill with fresh, clean fuel. 4. Drain fuel tank and carburetor and refill tank with fresh gasoline. 5. Connect wire to plug. 6. Replace spark plug. 7. Tighten blade bolt or replace blade adapter. 8. Depress control bar to handle. 9. Replace control bar. 10. Turn fuel valve lever to the ON position.

TROUBLESHOOTING - See appropriate section in manual unless directed to a Sears Service Center.

PROBLEM	CAUSE	CORRECTION
Loss of power	<ol style="list-style-type: none"> 1. Rear of housing or blade dragging in heavy grass. 2. Cutting too much grass. 3. Dirty air filter. 4. Buildup of grass, leaves, and trash under mower. 5. Too much oil in engine. 6. Walking speed too fast. 	<ol style="list-style-type: none"> 1. Set to "Higher Cut" position. 2. Set to "Higher Cut" position. 3. Clean/replace air filter. 4. Clean underside of mower housing. 5. Check oil level. 6. Cut at slower walking speed.
Poor cut – uneven	<ol style="list-style-type: none"> 1. Worn, bent or loose blade. 2. Wheel heights uneven. 3. Buildup of grass, leaves and trash under mower. 	<ol style="list-style-type: none"> 1. Replace blade. Tighten blade bolt. 2. Set all wheels at same height. 3. Clean underside of mower housing.
Excessive vibration	<ol style="list-style-type: none"> 1. Worn, bent or loose blade. 2. Bent engine crankshaft. 	<ol style="list-style-type: none"> 1. Replace blade. Tighten blade bolt. 2. Contact a Sears or other qualified service center.
Starter rope hard to pull	<ol style="list-style-type: none"> 1. Engine flywheel brake is on when control bar is released. 2. Bent engine crankshaft. 3. Blade adapter broken. 4. Blade dragging in grass. 	<ol style="list-style-type: none"> 1. Depress control bar to upper handle before pulling starter rope. 2. Contact a Sears or other qualified service center. 3. Replace blade adapter. 4. Move lawn mower to cut grass or to hard surface.
Grass catcher not filling (if so equipped)	<ol style="list-style-type: none"> 1. Cutting height too low. 2. Lift on blade worn off. 3. Catcher not venting air. 	<ol style="list-style-type: none"> 1. Raise cutting height. 2. Replace blade. 3. Clean grass catcher.
Hard to push	<ol style="list-style-type: none"> 1. Grass is too high or wheel height is too low. 2. Rear of housing or blade dragging in heavy grass. 3. Grass catcher too full. 4. Handle height position not right for you. 	<ol style="list-style-type: none"> 1. Raise cutting height. 2. Raise rear of mower housing one (1) setting higher. 3. Empty grass catcher. 4. Adjust handle height to suit.

ROTARY LAWN MOWER -- MODEL NUMBER 944.362010



REPAIR PARTS

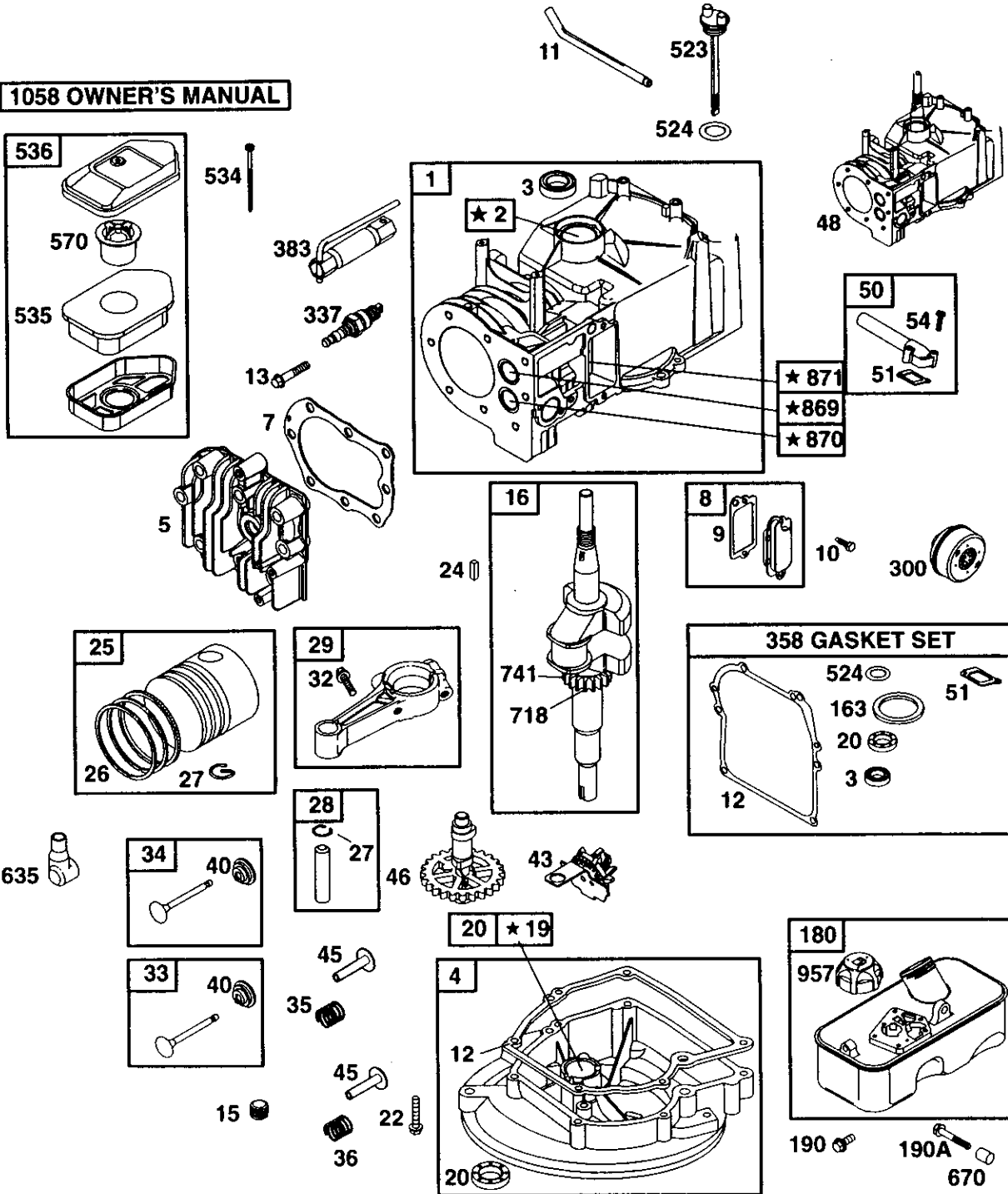
ROTARY LAWN MOWER -- MODEL NUMBER 944.362010

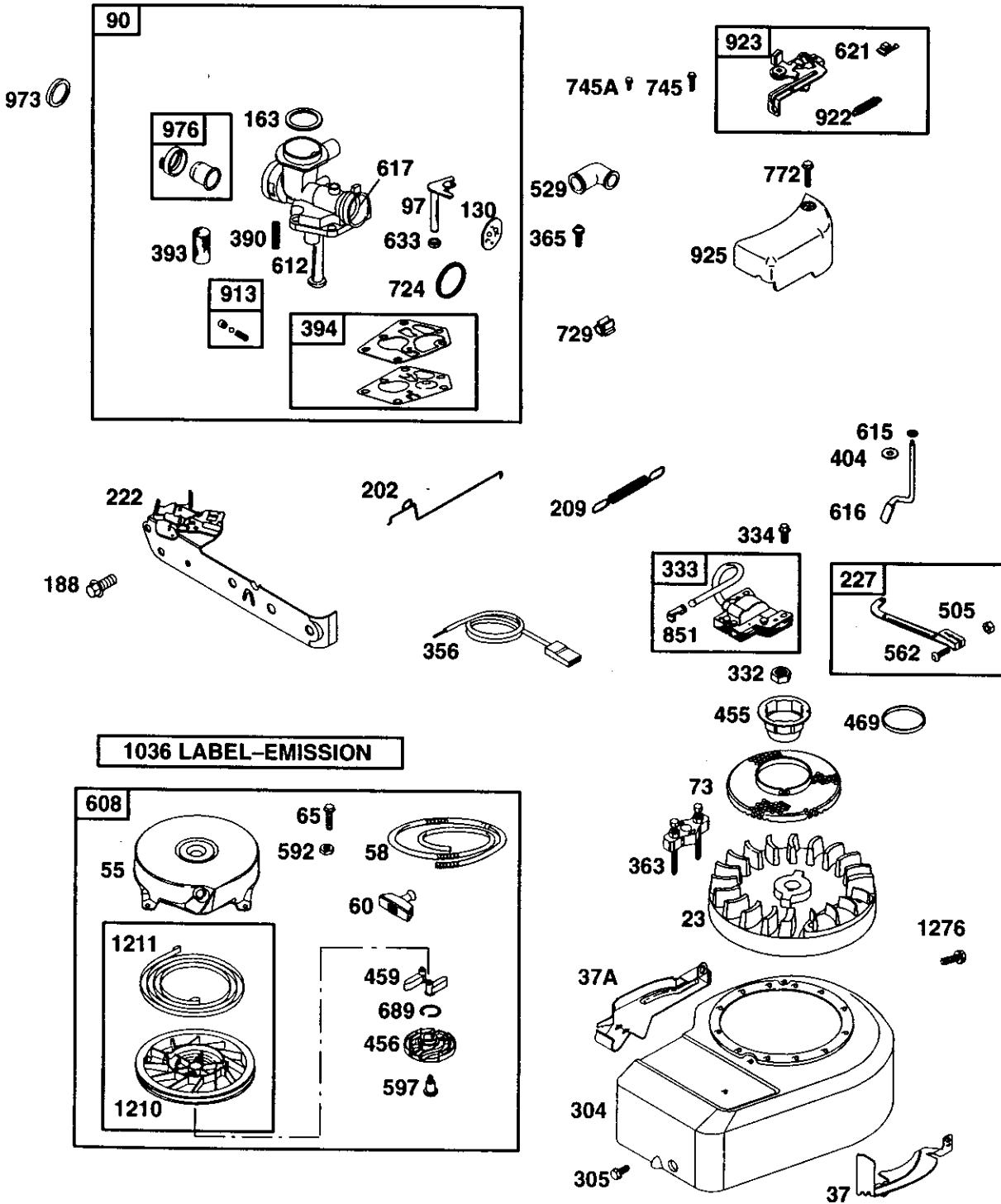
KEY PART NO.	NO.	DESCRIPTION
1	86902	Control Bar
2	179585	Rope Guide
3	750097	Screw, Hex Washer Head, Self-tapping #10-24 x 1/2
4	172146X479	Lower Handle
5	63601	Hex Locknut 1/4-20
7	169711X479	Upper Handle
8	163799	Engine Zone Control Cable
9	74350424	Hex Head Screw 1/4-20 x 1-1/2
10	86899X004	Up-Stop Bracket
11	66426	Wire Tie
12	137009	Hex Head Bolt 3/8-16 x 3/4
13	700839X479	Front Baffle
14	140541	Rear Skirt
16	87584X004	Deflector Bracket
17	851201X004	Engine Washer
18	53847	Flat Washer
19	752052	Discharge Guard
20	67609	Shoulder Bolt
21	700263	Wheel Assembly
22	136624	Wheel Spacer
23	107339X	Danger Decal

KEY PART NO.	NO.	DESCRIPTION
24	55611	Washer
26	61537	Washer
27	132010	Flange Locknut
28	74760412	Hex Head Screw 1/4
29	751592	Hex Locknut 3/8-16
30	150406	Hex Head Thread Rolling Screw 3/8-16 x 1
31	132004	Hex Nut 1/4-20
33	181940	Housing
34	850977	Blade Adapter
35	850972	Blade 20"
36	851074	Washer (Hardened)
37	850263	Helical Lock Washer
38	851084	Hex Head Machine Screw 3/8-24 x 1-3/8 Gr. 8
39	---	Engine, Briggs & Stratton, Model Number 9E902-0214-B1 (See Breakdown)
40	128415	Pop Rivets
41	750634	Screw
--	162300	Warning Decal (Not Shown)
--	181937	Owner's Manual (English)
--	181938	Owner's Manual (French)

NOTE: All component dimensions given in U.S. inches.
1 inch = 25.4 mm

1058 OWNER'S MANUAL





BRIGGS & STRATTON 4-CYCLE ENGINE

MODEL NUMBER 9E902-0214-B1

KEY NO.	PART NO.	DESCRIPTION	KEY NO.	PART NO.	DESCRIPTION
1	697401	Cylinder Assembly	337	802592	Sparkplug
2	399269	Bushing	356	692390	Stop Wire
3	299819	• Oil Seal	358	298989	Gasket Set
4	697412	Engine Sump	363	19069	Flywheel Puller
5	690386	Cylinder Head	365	692200	Screw (Carburetor)
7	692288	Cylinder Head Gasket	383	89838	Spark Plug Wrench
8	495785	Breather Assy (Includes Gasket)	390	691839	Choke Diaphragm Spring
9	695890	Breather Gasket	393	691837	Carburetor Screen
10	691666	Screw (Breather Assembly)	394	495770	Carburetor Diaphragm
11	691245	Breather Tube	404	690272	Washer
12	692218	• Crankcase Gasket (.015" Thick, Standard)	455	691236	Flywheel Cup
	270895	• Crankcase Gasket (.005" Thick)	456	692299	Spring Retainer
	270896	• Crankcase Gasket (.009" Thick)	459	281505	Ratchet Pawl
13	691697	Screw (Cylinder Head)	469	694420	Rotating Trim Ring
15	691680	Oil Drain Plug	505	691251	Nut (Governor Control Lever)
16	691475	Crankshaft	523	691913	Dipstick
19	293709	Bushing	524	691876	O Ring Seal (Dipstick Tube)
20	391483	• Oil Seal	529	692189	Grommet
22	691662	Screw (Engine Sump)	534	691417	Screw (Air Cleaner)
23	692009	Flywheel	535	272235	Air Filter
24	222698	Flywheel Key	536	493492	Air Cleaner
25	498668	Piston Assembly	562	92613	Bolt (Governor Control Lever)
26	498680	Ring Set	570	691911	Foam Element Support
27	691588	Piston Pin Lock	592	690800	Nut (Rewind Starter)
28	298909	Piston Pin (Standard)	597	691696	Screw (Ratchet Pawl)
	298908	Piston Pin (.005" Oversize)	608	499706	Rewind Starter
29	294201	Connecting Rod (Standard)	612	496046	Pickup Tube
	296079	Connecting Rod (.020" Undersize)	616	697405	Governor Crank
32	94699	Screw (Connecting Rod)	617	270344	O Ring Seal (Intake Manifold)
33	296676	Exhaust Valve	621	692310	Stop Switch
34	296677	Intake Valve	633	691321	Choke/Throttle Shaft Seal
35	690520	Valve Spring	635	66538	Spark Plug Boot
36	690520	Valve Spring	670	691633	Spacer
37	691209	Flywheel Guard	689	691855	Friction Spring
37A	697403	Flywheel Guard	718	499047	Locating Pin
40	692194	Valve Retainer	724	697478	Retainer Seal
45	691762	Valve Tappet	729	690586	Wire Clip
46	691998	Cam Gear	741	691805	Timing Gear
43	697799	Oil Slinger	745	691146	Screw (Brake)
48	---	Replacement Engine	745A	690859	Screw (Brake)
		10E902-0015-E1 (Short Block n/a)	772	691111	Screw (Linkage Cover)
50	693446	Intake Manifold	851	493880	Spark Plug Terminal
51	270345	• Intake Gasket	869	211172	Valve Seat (Intake)
54	93485	Screw (Intake Manifold)	870	211291	Valve Seat (Exhaust)
55	692144	Rewind Starter Housing	871	231348	Guide Bushing (Exhaust)
58	692259	Starter Rope		63709	Guide Bushing (Intake)
60	691915	Starter Rope Grip	913	494409	Check Valve Seat
65	690837	Screw (Rewind Starter)	922	692135	Brake Spring
73	691235	Rotating Screen	923	691487	Brake Bracket
90	697800	Carburetor	925	691349	Linkage Cover
97	697414	Throttle Shaft	957	497929	Fuel Tank Cap (Plastic)
130	691190	Throttle Valve	973	694394	Trim Ring (Primer Bulb)
163	271139	• Air Cleaner Gasket	976	494408	Carburetor Primer
180	494406	Fuel Tank	1036	695108	Emission Label
188	94786	Screw (Control Bracket)	1058	273690	Owner's Manual
190	692198	Screw (Fuel Tank)	1210	499901	Pulley/Spring Assembly (Pulley)
190A	691697	Screw (Fuel Tank)	1211	499901	Pulley/Spring Assembly (Spring)
202	697407	Link-Mechanical Governor	1276	691002	Screw (Governor Lever Nut)
209	697797	Spring-Governor			Mounting Guard)
222	697796	Bracket-Control			
227	697402	Governor Control Lever			
300	394569	Muffler (Lo Tone)			
304	697795	Blower Housing			
305	692198	Screw (Blower Housing)			
332	690662	Nut (Flywheel)			
333	496914	Armature-Magneto			
334	690482	Screw (Magneto Armature)			

RPM Settings: Low Speed: 1900-2100
High Speed: 3000-3200

• Included in Engine Gasket Set, Key No. 358

NOTE: All component dimensions given in U.S. inches
1 inch = 25.4 mm

SERVICE NOTES

Get it fixed, at your home or ours!

Just Call:

1-800-4-MY-HOME®
(1-800-469-4663)

24 hours a day, 7 days a week

For the repair of major brand appliances **in your own home...**
no matter who made it, no matter who sold it!

For your nearest **Sears Parts and Service** location,
to bring in products like vacuums, lawn equipment and electronics.

For **Sears Parts & Service**, to order the replacement parts,
accessories and owner's manuals that you need to do-it-yourself.

www.sears.ca

To purchase or inquire about a Sears Maintenance Agreement, call:

1-800-361-6665

9 a.m. – 8 p.m. EST, Mon. – Fri., 4 p.m. Sat.

Pour service en français:

1-800-LE-FOYER^{MC}
(1-800-533-6937)

www.sears.ca



® / TM Trademarks of Sears, Roebuck and Co. used under license by Sears Canada

^{MC} / ^{MD} Marque de commerce / déposée de Sears, Roebuck and Co. utilisée en vertu d'une licence de Sears Canada

© Sears